



Features

- Economy Type
- CEC Compliance
- RoHS Compliance
- IEC320 C14, C8, C6
- Over Voltage Protective Installatio
- Over Current Protective Installation
- Protection Type: Auto-Recovery
- MTBF: >30,000 hours

EA1052 x Y - w PP

- x:** Case type: 1. C14 2. C8 3. C6
- Y:** Output range
- w:** Specified output voltage, ie 24 is 24Vdc
- PP:** Connector type, ie 01 for EDACPOWER standard dc cable or please refer to the appendix page

Electrical Specifications

MODEL No.	MAX. OUTPUT POWER (W)	OUTPUT VOLTAGE (Vo)	MIN. LOAD (Io)	MAX. LOAD (Io)	LOAD REGULATION	LINE REGULATION	RIPPLE & NOISE
EA1052xA	50W	5~9V	0	9A	± 5%	± 1%	150mV
EA1052xB	40W	5~9V	0	6A	± 5%	± 1%	150mV
EA1052xC	60W	9~15V	0	6A	± 5%	± 1%	240mV
EA1052xD	50W	9~15V	0	5A	± 5%	± 1%	240mV
EA1052xE	42W	9~15V	0	4A	± 5%	± 1%	240mV
EA1052xF	60W	15~24V	0	4A	± 5%	± 1%	360mV
EA1052xG	50W	15~24V	0	3.33A	± 5%	± 1%	360mV
EA1052xH	42W	15~24V	0	2.5A	± 5%	± 1%	360mV
EA1052xJ	60W	29~48V	0	1.93A	± 5%	± 1%	720mV
EA1052xN	60W	-31~-48V	0	1.93A	± 5%	± 1%	720mV

NOTE:

- 1 : Ripple & noise is measured by using 20MHz bandwidth limited oscilloscope and terminated each output with a 0.1uF ceramic capacitor & parallel with 47uF aluminum capacitor at full load and nominal line.
- 2 : Line regulation is defined by changing ±10% of input voltage from nominal line at rated load.
- 3 : Max. Output Power (W) ≥Vo x Io

Electrical Specifications

INPUT

- Input Range 100 to 240 VAC
- Frequency 50 to 60Hz
- Input Current ≤1.8A
- Inrush Current ≤60A At cold start
- Efficiency EA1052xA, B: 75% Typ.
EA1052xC, D, E: 84% Typ.
EA1052xF, G, H: 85% Typ.
EA1052xJ, N: 85% Typ.
- Hold Up Time ≥8.3mS
- Turn On Time ≤3s

OUTPUT

- Over Voltage Protection Auto Recovery
- Short Circuit Protection Auto Recovery

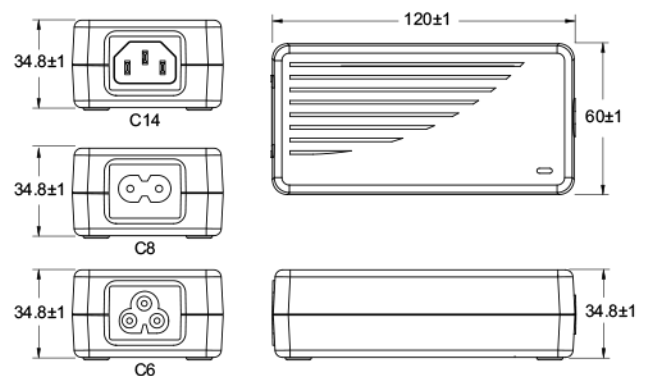
ENVIRONMENTAL

- Operating Temperature 0 to 40°C
- Storage Temperature -20 to 85°C
- Storage Humidity 5% to 95%

SAFETY

- UL/cUL, TUV, CB, CE, FCC, CCC

Mechanical Specification



- Case Size: 120L x 60W x 34.8H (mm)
- AC Inlet: C14, C8, C6
- Weight: 310g