

Features

- CEC Compliance
- RoHS Compliance
- Plug USA, EU, SAA, UK Type
- Over Voltage Protective Installation
- Protection Type: Auto-Recovery
- MTBF: >30,000 hours

EA1018 x Y z - vv PP

- x:** Output range
Y: Case type: 1. Right angle 2. Straight type
z: AC plug type: • U: USA • E: EU • K: UK • A: SAA
vv: Specified output voltage, ie 24 is 24Vdc
PP: Connector type, ie 01 for EDACPOWER standard dc cable or please refer to the appendix page

Electrical Specifications

MODEL No.	MAX. OUTPUT POWER (W)	OUTPUT VOLTAGE (Vo)	MIN. LOAD (Io)	MAX. LOAD (Io)	LOAD REGULATION	LINE REGULATION	RIPPLE & NOISE
EA1018A-yz	18W	5~9V	0A	3.0A	± 5%	± 1%	180mV
EA1018B-yz	18W	9~13V	0A	2.0A	± 5%	± 1%	240mV
EA1018C-yz	20W	13~18V	0A	1.53A	± 5%	± 1%	270mV
EA1018D-yz	20W	18~24V	0A	1.11A	± 5%	± 1%	360mV
EA1018E-yz	20W	32~36V	0A	0.625A	± 5%	± 1%	540mV
EA1018F-yz	21W	7.5V	0A	2.8A	± 5%	± 1%	150mV
EA1018G-yz	24W	12V	0A	2.0A	± 5%	± 1%	180mV

NOTE:

- 1 : Ripple & noise is measured by using 20MHz bandwidth limited oscilloscope and terminated each output with a 0.1uF ceramic capacitor & parallel with 47uF aluminum capacitor at full load and nominal line.
 2 : Line regulation is defined by changing ±10% of input voltage from nominal line at rated load.
 3 : Max. Output Power (W) ≥Vo x Io

Electrical Specifications

INPUT

- Input Range 100 to 240 VAC
- Frequency 50 to 60Hz
- Input Current ≤1.0A
- Inrush Current ≤60A At cold start
- Efficiency 75% Typ.
- Hold Up Time ≥8.3mS
- Turn On Time ≤3s

OUTPUT

- Over Voltage Protection Auto Recovery
- Short Circuit Protection Auto Recovery

ENVIRONMENTAL

- Operating Temperature 0 to 40°C
- Storage Temperature -20 to 85°C
- Storage Humidity 5% to 95%

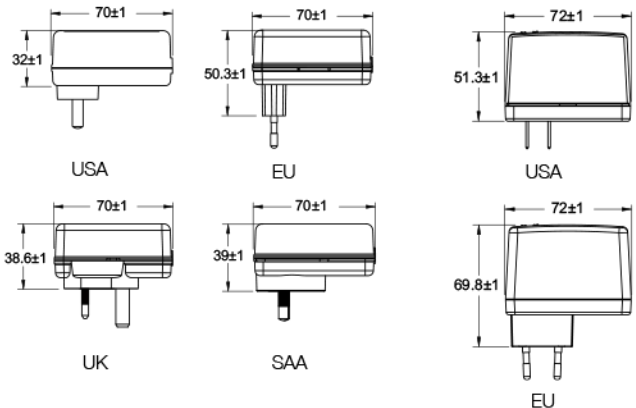
SAFETY

- UL/cUL, TUV, CB, CE, FCC, CCC

Mechanical Specification

Case Type1: Right angle

Case Type2: Straight type



- Case Size: 1. USA: 70Lx45Wx32H (mm), EU: 70Lx45Wx50.3H (mm)
 UK: 70Lx45Wx38.6H (mm), SAA: 70Lx55Wx39H (mm)
 2. USA: 72Lx34Wx51.3H (mm), EU: 72Lx34Wx69.8H (mm)
- AC Plug: U: USA, E: EU, K: UK, A: SAA
- Weight: 152g