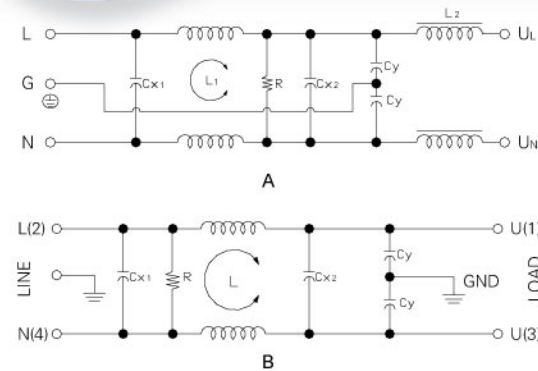


095/03 & 095/04 High Performance Washing Machine Filters

RoHS



095/03 & 095/04 - Electrical Schematic

Features

Outstanding differential mode suppression.

Typical Applications

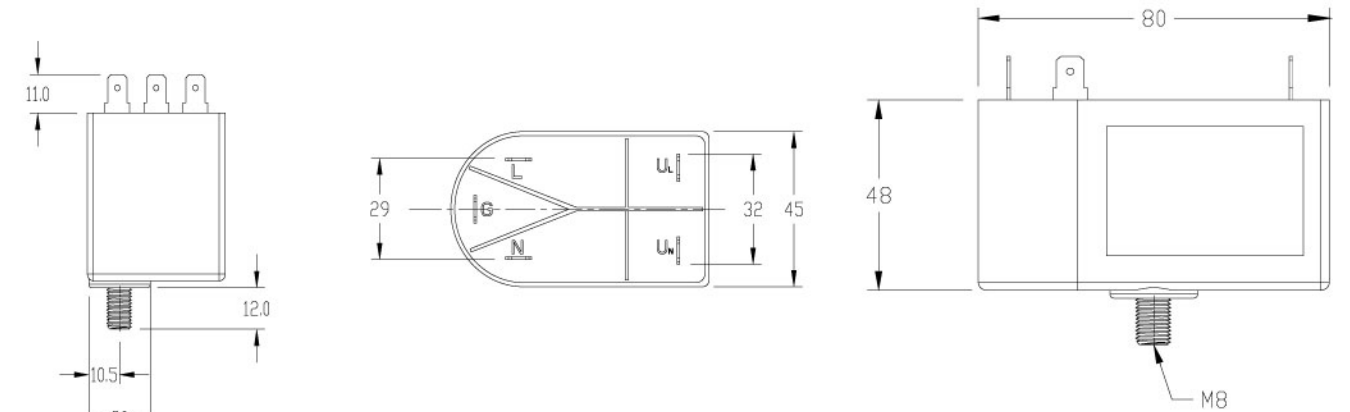
Top load and front load washing machine.

Technical Data

Rated Voltage Max.	250VAC	095/03 & 095/04 Leakage Current	
Rated Current (A)	10 - 16A @ 40°C	@ 250 VAC 50Hz	0.89mA Max.
Operating Frequency (Hz)	50 / 60Hz	@ 115 VAC 60Hz	0.49mA Max.
Hipot Rating		IP Standard	53
Line to Line	1450V DC	Climatic category	25 / 85 / 21
Line to Ground	2250V DC	Flammability	UL94V-0
Case	Plastic Resin		
Packaging Quantity	50 pcs per carton		

Model No.	Rated Current @ 40°C	CM L(mH)	DM L(uH)	Cx1 (uF)	Cx2 (uF)	Cy (nF)	R (Ω)	Schematic	Unit Weight (g)	Terminal Options	
										In	Out
095.31001.00	10.0	3.0	18.0	0.47	1.00	4.7	0.68M	A	200.0	Faston 6.35*0.8	Faston 6.35*0.8
095.31201.00	12.0	3.0	18.0	0.47	1.00	4.7	0.68M	A	200.0	Faston 6.35*0.8	Faston 6.35*0.8
095.31601.00	16.0	3.0	18.0	0.47	1.00	4.7	0.68M	A	200.0	Faston 6.35*0.8	Faston 6.35*0.8
095.31602.00	16.0	3.0	18.0	0.68	1.00	4.7	0.68M	A	200.0	Faston 6.35*0.8	Faston 6.35*0.8
095.41001.00	10.0	12.0	—	0.47	0.68	4.7	0.68M	B	200.0	Faston 6.35*0.8	Faston 6.35*0.8
095.41201.00	12.0	8.0	—	0.47	0.68	4.7	0.68M	B	200.0	Faston 6.35*0.8	Faston 6.35*0.8
095.41601.00	16.0	5.0	—	0.47	0.68	4.7	0.68M	B	200.0	Faston 6.35*0.8	Faston 6.35*0.8
095.41602.00	16.0	12.5	—	0.47	0.68	4.7	0.68M	B	200.0	Faston 6.35*0.8	Faston 6.35*0.8

95/03 & 095/04 Mechanical Outlines For reference only



All dimensions in mm, 1 inch=25.4 mm

Insertion Loss in dB Measured in a 50Ω System

Model No.	Common Mode IL (Frequencies in MHz)							
	0.05	0.1	0.15	0.5	1.0	5.0	10.0	30.0
095.31001.00	25.0	31.0	34.0	45.0	53.0	56.0	54.0	53.0
095.31201.00	25.0	31.0	34.0	45.0	53.0	56.0	54.0	53.0
095.31601.00	25.0	31.0	34.0	45.0	53.0	56.0	54.0	53.0
095.31602.00	30.0	36.0	40.0	50.0	58.0	61.0	59.0	58.0
095.41001.00	40.0	45.0	50.0	55.0	45.0	40.0	35.0	35.0
095.41201.00	35.0	40.0	52.0	55.0	43.0	38.0	32.0	32.0
095.41601.00	35.0	40.0	50.0	53.0	40.0	35.0	30.0	35.0
095.41602.00	45.0	45.0	42.0	45.0	50.0	50.0	52.0	45.0

Model No.	Differential Mode IL (Frequencies in MHz)							
	0.05	0.1	0.15	0.5	1.0	5.0	10.0	30.0
095.31001.00	14.0	29.0	42.0	75.0	72.0	64.0	60.0	58.0
095.31201.00	14.0	29.0	42.0	75.0	72.0	64.0	60.0	58.0
095.31601.00	14.0	29.0	42.0	75.0	72.0	64.0	60.0	58.0
095.31602.00	19.0	35.0	47.0	80.0	75.0	70.0	65.0	60.0
095.41001.00	17.0	30.0	35.0	30.0	40.0	35.0	30.0	20.0
095.41201.00	17.0	30.0	35.0	30.0	42.0	30.0	25.0	17.0
095.41601.00	15.0	25.0	30.0	30.0	35.0	25.0	25.0	17.0
095.41602.00	25.0	30.0	32.0	30.0	32.0	25.0	25.0	17.0

Other specifications, requirements and customizations can be offered upon request.