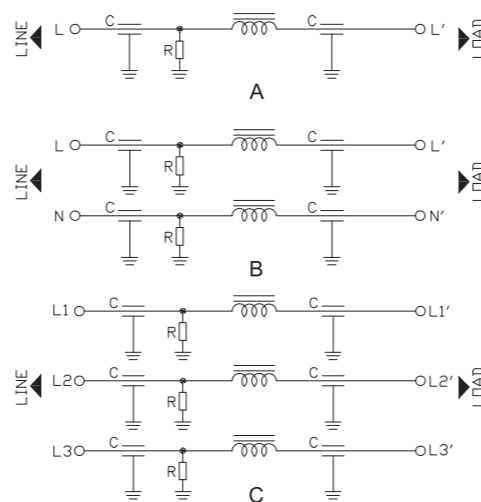


059 MRI Shielded Room and Enclosure Power Line Filters



RoHS



059 - Electrical Schematic

Features

Designed for use in MRI shielded rooms and enclosures. Provides high attenuation from 5MHz to 10GHz. Sealed construction with removable shielded cover for input connections through knock-outs and threaded conduit pipe for output connections via flexible cable.

100dB from 5MHz to 10GHz

Typical Applications

MRI shielded Rooms and enclosures.

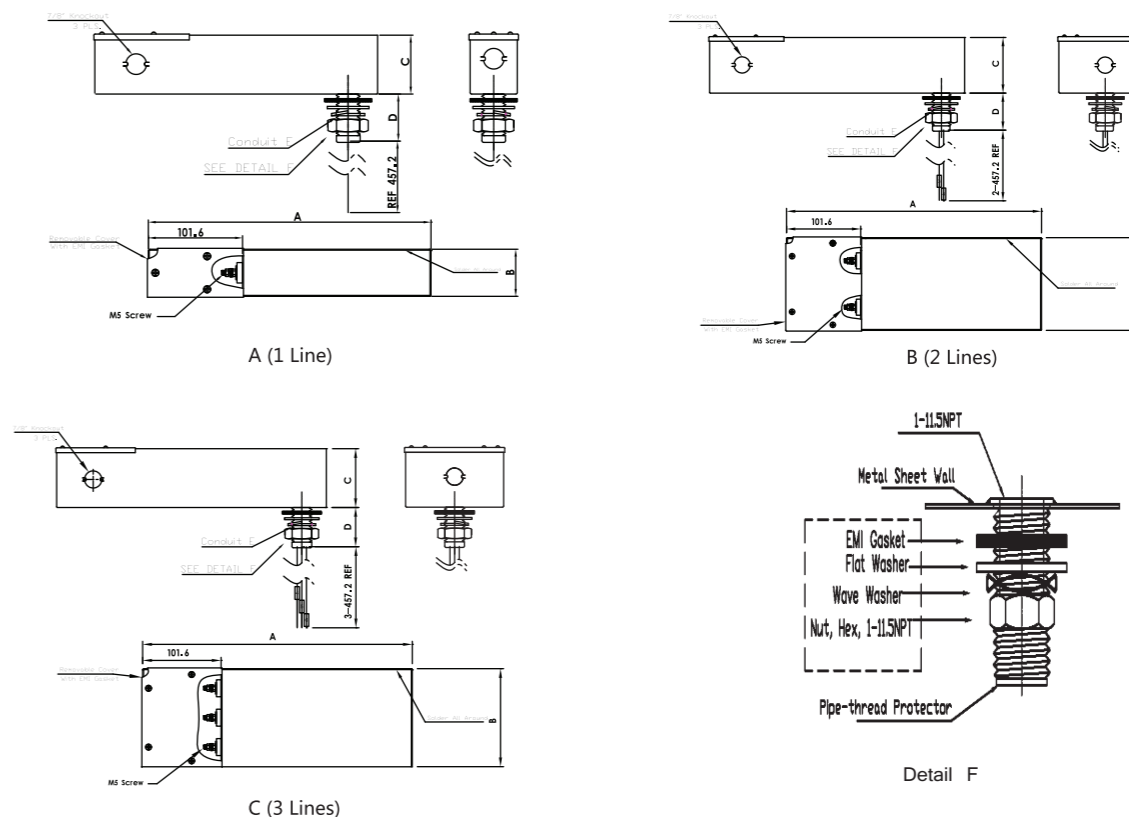
Technical Data

Rated Voltage Max.	120 / 277 VAC Line to Ground	Operating temperature	From -25°C to 85°C
Rated Current (A)	up to 50A@ 60°C	Output Cables (Load side)	UL1015
Over Load (% of rated Current)	150% /10 minutes	Leakage Current	
Operating Frequency (Hz)	50 / 60 Hz.	@ 277 VAC 60Hz (Schematic A. B. C)	<50mA
Hipot Rating	Per UL 1283		
Voltage Drop at rated current	<1%	Attenuation	> 100dB (5MHz To 10GHz)
Case	Plated Steel	Climatic category	25 / 85 / 21

Filters supplied with all related installation accessories.

059 Mechanical Outlines

For reference only



All dimensions in mm, 1 inch=25.4 mm

Model No.	Rated Current @60°C	Number of Lines	Schematic	Mechanical Diagram	Unit Weight (kg)	Mechanical Dimensions (mm)				
						A	B	C	D	E
059.00101.00	1.0A	1 Line	A	A	2.0	305.0	50.0	64.0	50.8	1-11.5UN
059.00501.00	5.0A					305.0	50.0	64.0	50.8	1-11.5UN
059.01001.00	10.0A					305.0	50.0	64.0	50.8	1-11.5UN
059.01501.00	15.0A					305.0	76.0	64.0	50.8	1-11.5UN
059.03001.00	30.0A					305.0	89.0	64.0	50.8	1-11.5UN
059.05001.00	50.0A	2 Lines	B	B	4.0	305.0	89.0	64.0	50.8	1-11.5UN
059.00102.00	1.0A					305.0	89.0	64.0	50.8	1-11.5UN
059.00502.00	5.0A					305.0	89.0	64.0	50.8	1-11.5UN
059.01002.00	10.0A					350.0	102.0	76.0	50.8	1-11.5UN
059.03002.00	30.0A					350.0	127.0	76.0	50.8	1-11.5UN
059.05002.00	50.0A	3 Lines	C	C	5.0	305.0	127.0	64.0	50.8	1-11.5UN
059.00103.00	1.0A					305.0	127.0	64.0	50.8	1-11.5UN
059.00503.00	5.0A					305.0	127.0	64.0	50.8	1-11.5UN
059.01003.00	10.0A					350.0	127.0	76.0	50.8	1-11.5UN
059.01503.00	15.0A					350.0	152.0	76.0	50.8	1-11.5UN
059.03003.00	30.0A									
059.05003.00	50.0A									

Terminal Interface: the input on all filters are equipped with M5 screws accessed through 7/8" knock-outs and removable shielded cover. The output terminals are perwired with 18" flexible cables extended out through the threaded conduit pipe.

Other specifications, requirements and customizations can be offered upon request.