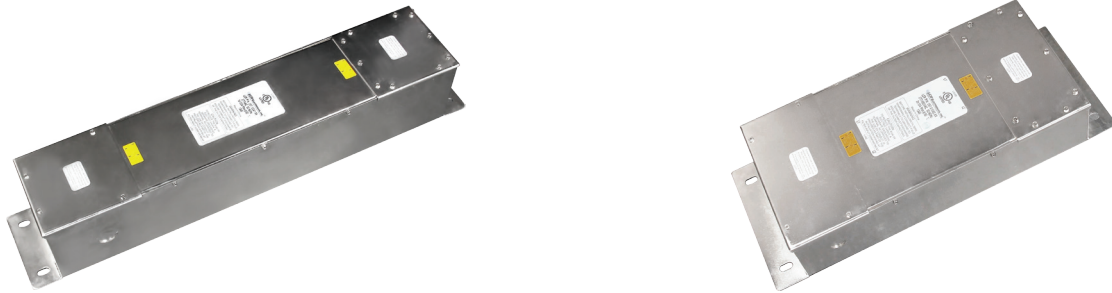


# LCR 057/02

## 100 dB @ 150 KHz High Performance Shielded Room Filters



### Features

UL Listed, 100 dB from 150 KHz and up to 10 GHz (20 GHz - 40 GHz available per order), single line, dual line, three line and four line models, shielded, sealed and robust filters for shielded facilities, \*easy mounting and installation, threaded pipe with EMI gasket (load) and knockouts inlets (line), meet MIL-STD 220 and CISPR 17.

\*User manual for easy installation and installation hardware kit provided with each unit.

### Typical Applications

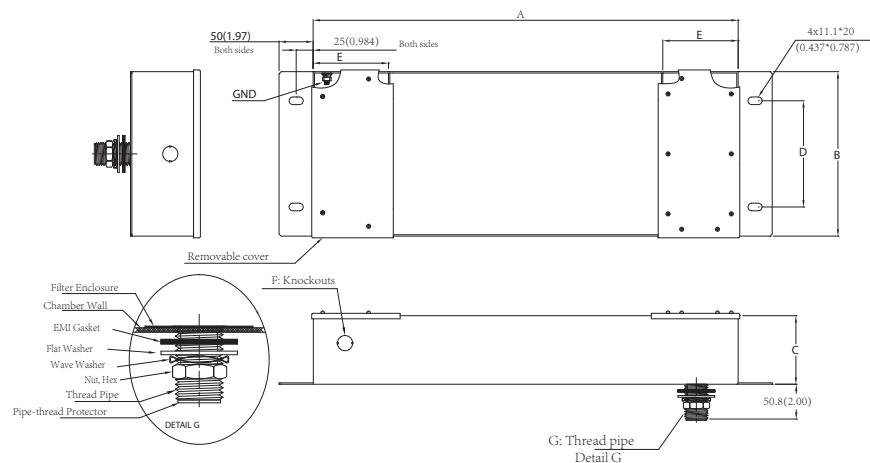
Shielded rooms and facilities, shielded enclosures, secured communication areas, EMC test laboratories, anechoic chambers, MRI screened facilities and other shielded facilities and applications.

### Specifications

Rated Voltage (V)	277/480 VAC	** Max. Capacitive Reactive Current per Line (I Reactive)	See Table
Rated Current (A)	10 A~250 A @ 50° C	Voltage Drop	1% Max.
Frequency (Hz)	50/60 Hz	Overload (of Rated Current, 15 Minutes/Hour)	40% Max.
Hipot Rating (L-GND)	2200 VDC	IP Class	IP 65
Storage Temperature	From -40° C to +85° C	Case Material	Plated Steel
Operating Temperature	From -40° C to +85° C	Climatic Category (EN 60068-1)	25/85/21

\*\* WARNING: High capacitance reactive current to ground. Connect filter to ground (PE) before applying power to filter.

### LCR 057/02 Mechanical Outlines



Specifications are subject to change. Consult factory to verify specifications.

For products of LCR-INC: (800) 527-4362 / For RADIUS & FILTER CONCEPTS: (714) 289-0055

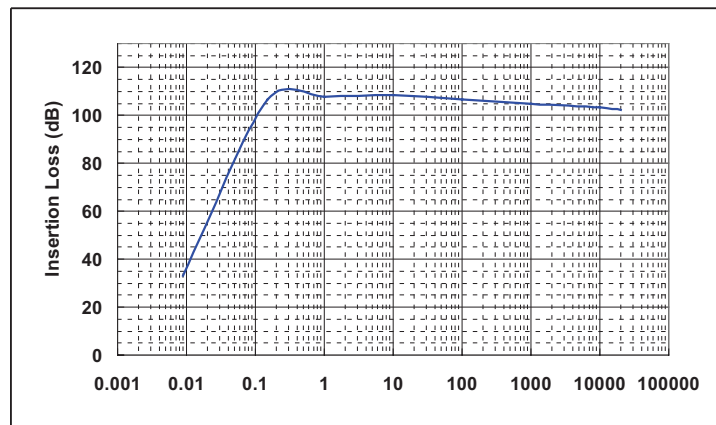
## LCR 057/02

## 100 dB @ 150 KHz High Performance Shielded Room Filters



Model No.	Lines	Rated Voltage (VAC)	Rated Current @ 40° C	I Reactive A Per Line @ 230 V/50 Hz	Mechanical Dimensions Shown in mm (in)							Terminal GND/Line/ Load	Ref. Unit Weight
					A Length	B Width	C Height	D Footprint	E Chamber	F Knockouts	G (NPT) Thread		
057.01041.00	1	277	10	1.9	460 (18.11)	110 (4.33)	100 (3.94)	80 (3.15)	110 (4.33)	22.23 (0.875)	1-11.5	M6 Screw	6 Kg
057.03041.00	1	277	30	3.3	500 (19.69)	120 (4.72)	130 (5.12)	80 (3.15)	110 (4.33)	22.23 (0.875)	1-11.5	M6 Screw	9 Kg
057.06041.00	1	277	60	4.1	560 (22.05)	140 (5.51)	130 (5.12)	80 (3.15)	110 (4.33)	22.23 (0.875)	1-11.5	M6 Screw	12 Kg
057.10041.00	1	277	100	5.5	720 (28.35)	150 (5.91)	140 (5.51)	100 (3.94)	150 (5.90)	34.93 (1.375)	1-11.5	M10 Screw	15 Kg
057.25041.00	1	277	250	5.5	720 (28.35)	200 (7.88)	140 (5.51)	100 (3.94)	150 (5.90)	34.93 (1.375)	1-11.5	M12 Screw	25 Kg
057.01042.00	2	277/480	10	1.9	460 (18.11)	220 (8.66)	100 (3.94)	160 (6.30)	110 (4.33)	22.23 (0.875)	1-11.5	M6 Screw	12 Kg
057.03042.00	2	277/480	30	3.3	500 (19.69)	240 (9.44)	130 (5.12)	160 (6.30)	110 (4.33)	22.23 (0.875)	1-11.5	M6 Screw	18 Kg
057.06042.00	2	277/480	60	4.1	560 (22.05)	280 (11.02)	130 (5.12)	160 (6.30)	110 (4.33)	22.23 (0.875)	1-11.5	M6 Screw	25 Kg
057.10042.00	2	277/480	100	5.5	720 (28.35)	300 (11.82)	140 (5.51)	200 (7.88)	150 (5.90)	34.93 (1.375)	1.5-11.5	M10 Screw	30 Kg
057.25042.00	2	277/480	250	5.5	720 (28.35)	400 (15.76)	140 (5.51)	200 (7.88)	150 (5.90)	34.93 (1.375)	1.5-11.5	M12 Screw	40 Kg
057.01043.00	3	277/480	10	1.9	460 (18.11)	330 (12.99)	100 (3.94)	240 (9.45)	110 (4.33)	22.23 (0.875)	1-11.5	M6 Screw	20 Kg
057.03043.00	3	277/480	30	3.3	500 (19.69)	360 (14.16)	130 (5.12)	240 (9.45)	110 (4.33)	22.23 (0.875)	1-11.5	M6 Screw	25 Kg
057.06043.00	3	277/480	60	4.1	560 (22.05)	420 (16.53)	130 (5.12)	240 (9.45)	110 (4.33)	22.23 (0.875)	1-11.5	M6 Screw	35 Kg
057.10043.00	3	277/480	100	5.5	720 (28.35)	450 (17.73)	140 (5.51)	300 (11.81)	150 (5.90)	34.93 (1.375)	1.5-11.5	M10 Screw	40 Kg
057.25043.00	3	277/480	250	5.5	720 (28.35)	600 (23.62)	140 (5.51)	300 (11.81)	150 (5.90)	44.05 (1.734)	1.5-11.5	M12 Screw	50 Kg
057.01044.00	4	277/480	10	1.9	460 (18.11)	440 (17.32)	100 (3.94)	320 (12.60)	110 (4.33)	22.23 (0.875)	1-11.5	M6 Screw	30 Kg
057.03044.00	4	277/480	30	3.3	500 (19.69)	480 (18.88)	130 (5.12)	320 (12.60)	110 (4.33)	22.23 (0.875)	1-11.5	M6 Screw	35 Kg
057.06044.00	4	277/480	60	4.1	560 (22.05)	560 (22.04)	130 (5.12)	320 (12.60)	110 (4.33)	34.93 (1.375)	1.5-11.5	M6 Screw	45 Kg
057.10044.00	4	277/480	100	5.5	720 (28.35)	600 (23.64)	140 (5.51)	400 (15.75)	150 (5.90)	34.93 (1.375)	1.5-11.5	M10 Screw	55 Kg
057.25044.00	4	277/480	250	5.5	720 (28.35)	800 (31.50)	140 (5.51)	400 (15.75)	150 (5.90)	44.05 (1.734)	2.5-11.5	M12 Screw	65 Kg

## LCR 057/02 Insertion Loss in dB Measured in a 50 Ω System



Specifications are subject to change. Consult factory to verify specifications.

For products of LCR-INC: (800) 527-4362 / For RADIUS & FILTER CONCEPTS: (714) 289-0055