

EA1024 Series

AC/DC Single Output Desk Top Type
• 16~36Watts Max.



Features

- DoE Compliance
- RoHS Compliance
- Over Voltage Protective Installation
- Short Circuit Protective Installation
- Protection Type: Auto Recovery
- MTBF > 30,000 hours

EA1024 x Y - vv PP

- x:** Output range
- Y:** Case type: 1. C14 2. C8 3. C6 6. C18
- vv:** Specified output voltage, ie 12 is 12Vdc.
- PP:** Connector type, ie 01 for EDACPOWER standard dc cable or please refer to the appendix page

Electrical Specifications

MODEL No.	MAX. OUTPUT POWER (W)	OUTPUT VOLTAGE (Vo)	MIN. LOAD (Io)	MAX. LOAD (Io)	LOAD REGULATION	LINE REGULATION	RIPPLE & NOISE
EA1024AY	16W	5~8V	0A	2.0A	± 5%	± 1%	100mV
EA1024BY	20W	5~8V	0A	3.0A	± 5%	± 1%	100mV
EA1024CY	24W	5~8V	0A	4.0A	± 5%	± 1%	100mV
EA1024DY	18W	9~11V	0A	1.5A	± 5%	± 1%	250mV
EA1024EY	24W	9~11V	0A	2.0A	± 5%	± 1%	250mV
EA1024FY	27W	9~11V	0A	3.0A	± 5%	± 1%	250mV
EA1024GY	20W	12~17V	0A	1.66A	± 5%	± 1%	250mV
EA1024HY	30W	12~17V	0A	2.5A	± 5%	± 1%	250mV
EA1024JY	24W	18~24V	0A	1.33A	± 5%	± 1%	350mV
EA1024KY	30W	18~24V	0A	1.66A	± 5%	± 1%	350mV
EA1024MY	20W	36~48V	0A	0.55A	± 5%	± 1%	480mV
EA1024NY	30W	36~48V	0A	0.83A	± 5%	± 1%	480mV
EA1024PY	36W	12V	0A	3.0A	± 5%	± 1%	250mV
EA1024QY	24W	12V	0A	2.0A	± 5%	± 1%	250mV
EA1024RY	36W	24V	0A	1.5A	± 5%	± 1%	350mV

NOTE:

- 1 : Ripple & Noise is measured by using 20MHz bandwidth limited oscilloscope and terminated each output with a 0.1uF ceramic capacitor & parallel with 47uF aluminum capacitor at full load and nominal line.
- 2 : Line regulation is defined by changing ±10% of input voltage from nominal line at rated load.
- 3 : Max. Output Power (W) = Vo x Io
- 4 : LED according to customer needs.

Electrical Specifications

INPUT

- Input Range: 100 to 240VAC
- Frequency: 50 to 60Hz
- Input Current: ≤1A
- Inrush Current: ≤60A At cold start
- Efficiency: Meet CEC Level VI (DoE), CoC Tier 2
- Hold Up Time: ≥8.3mS
- Turn On Time: ≤3S

OUTPUT

- Over Voltage Protection: Auto Recovery
- Short Circuit Protection: Auto Recovery

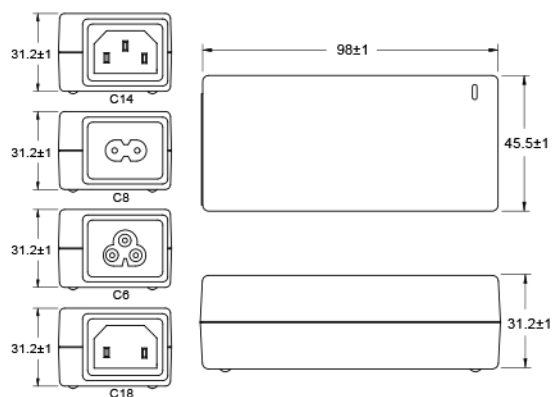
ENVIRONMENTAL

- Operating Temperature: 0 to 40°C
- Storage Temperature: -20 to 85°C
- Operating Humidity: 10% to 90%
- Storage Humidity: 5% to 95%

SAFETY

- UL/cUL, TUV, CB, CE, FCC, CCC

Mechanical Specification



- Case Size: 98L x 45.5W x 31.2H (mm)
- AC Inlet: C14, C8, C6, C18
- Weight: 200g